

HYGIENE WASTE BIN WITH SANITARY BAG DISPENSER WP177-2



300 x 398 x 155 mm

Capacity approx. 12 l

- Hygiene waste bin with sanitary bag dispenser in robust, germ-reducing and easy-care stainless steel (AISI 304).
- All-stainless steel housing; visible surfaces satin finished and brushed. Further available surfaces: see below.
- Equipped with removable hygiene bin. Capacity approx. 12 l.
- Sanitary bag dispenser integrated on the side. Designed for one standard box of plastic sanitary bags with dimensions of approx. 118 x 87 x 20 mm.
- Accessible through hinged lid.
- Mounting: With four screws through key holes and one optional anti-theft hole in the back wall.
- Delivery includes fixing material and one box of plastic sanitary bags.
- Weight, including single package: 5.7 kg

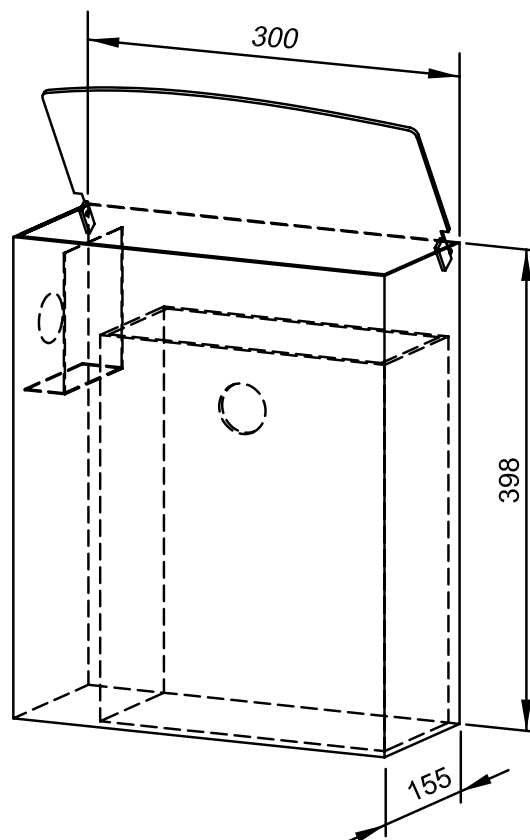


Suggested text for specifications:

Hygiene waste bin with sanitary bag dispenser in stainless steel (AISI 304) for surface mounting. All-stainless steel housing; visible surfaces satin finished and brushed. Equipped with removable hygiene bin. Capacity approx. 12 l. Sanitary bag dispenser integrated on the side. Accessible through hinged lid. Delivery includes fixing material and one box of plastic sanitary bags.

Dimensions: 300 x 398 x 155 mm

Article No. WP177-2



Available surfaces	ID No.
satin finished (standard)	727 340
highly polished	731 340
(coloured) plastic powder-coating	728 340

Ernst Wagner GmbH & Co. KG

Ernst-Abbe-Straße 21 · D-72770 Reutlingen · Tel.: +49712151539-0 · Fax: -20
info@wagner-ewar.de · www.wagner-ewar.de

WAGNER
EWAR